

1

2

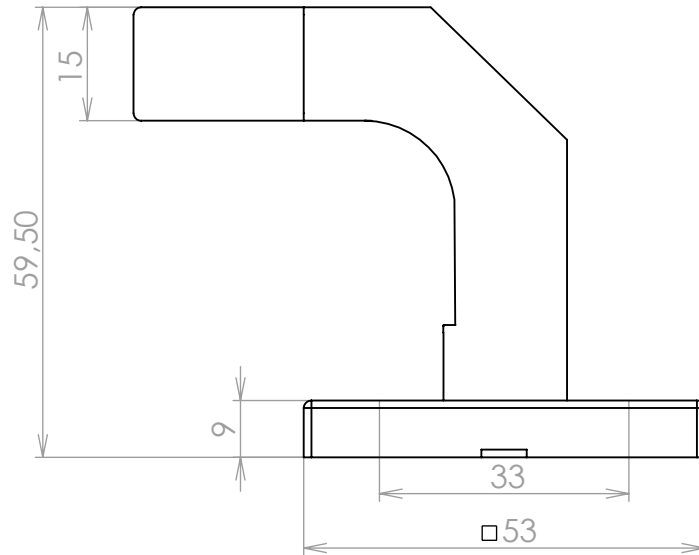
3

4

A

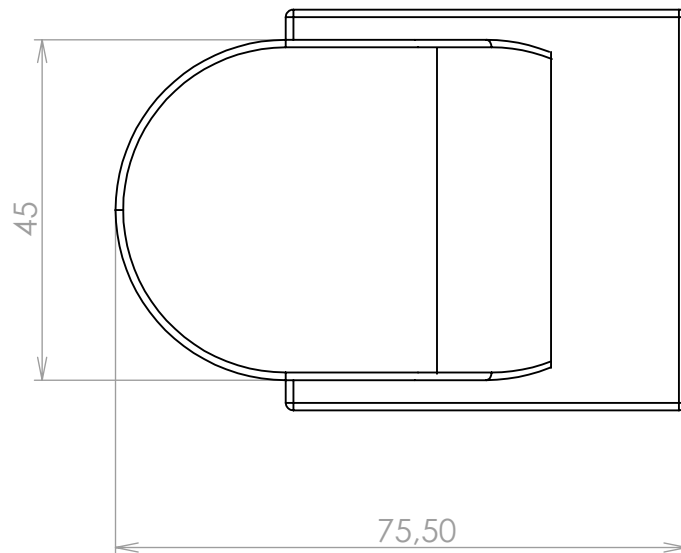
MSK 12

B



C

D



E

F

